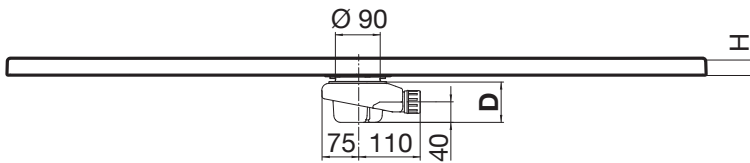
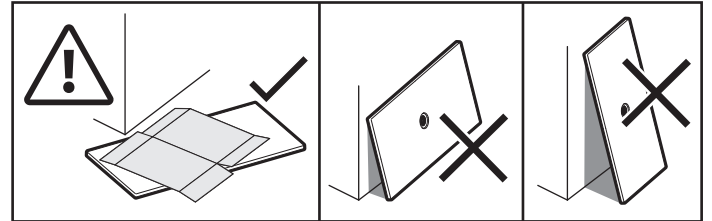


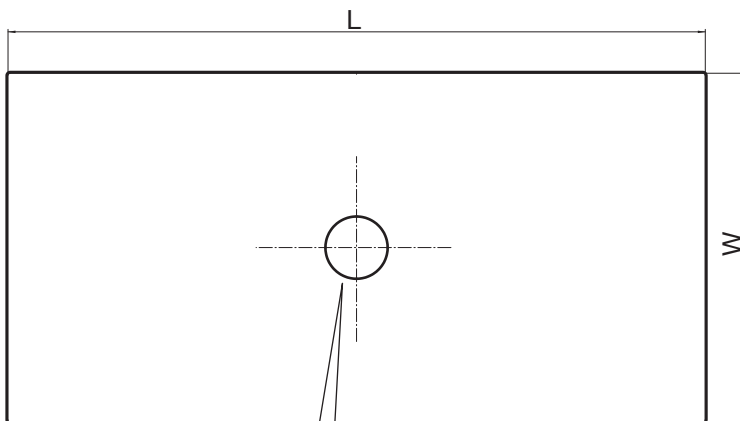



Roca

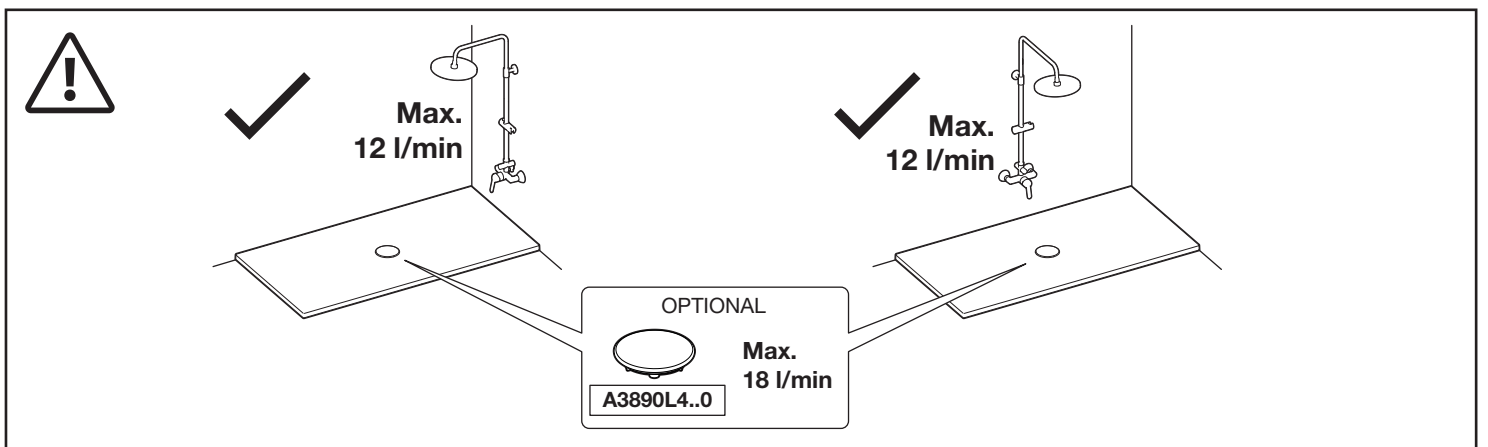
CRATOS

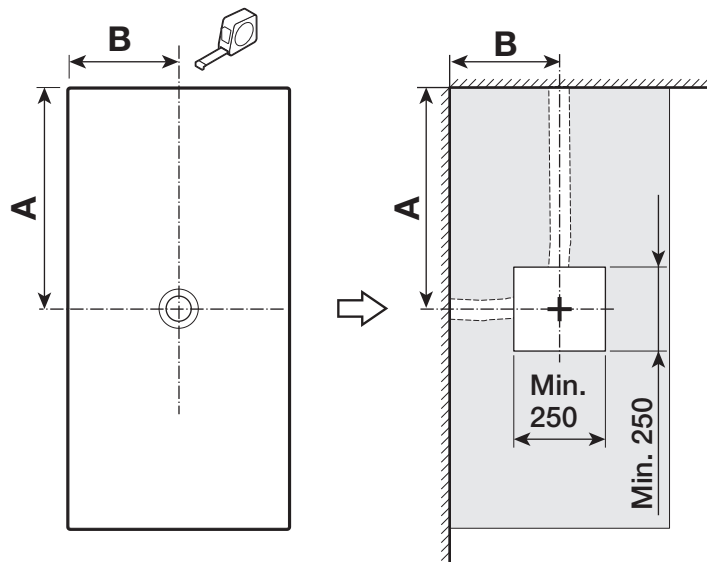


	A27L045000	D 80
---	-------------------	----------------



L	W	H	
1800	800	35	
	700		
1600	800		
	700		
1400	800		
	700		
1200	800		
	700		
1000	800		
	700		

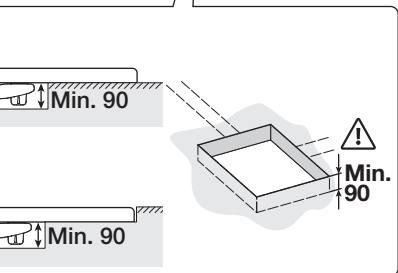
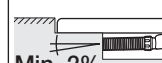
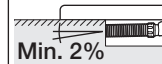
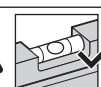
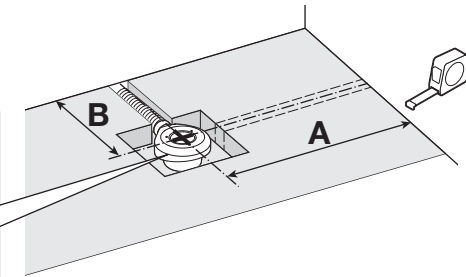
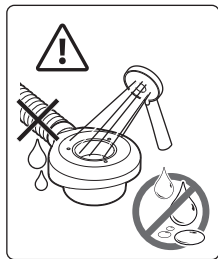
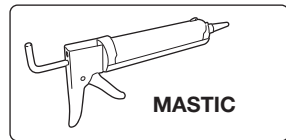


1

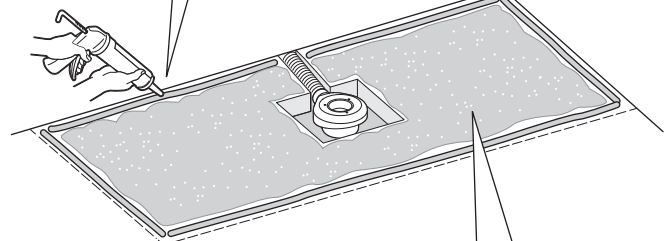
[mm]



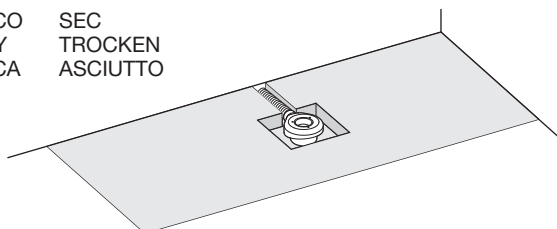
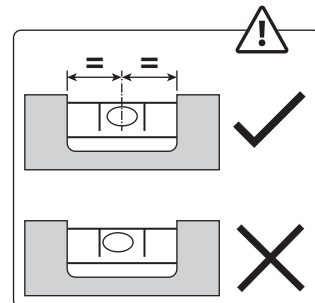
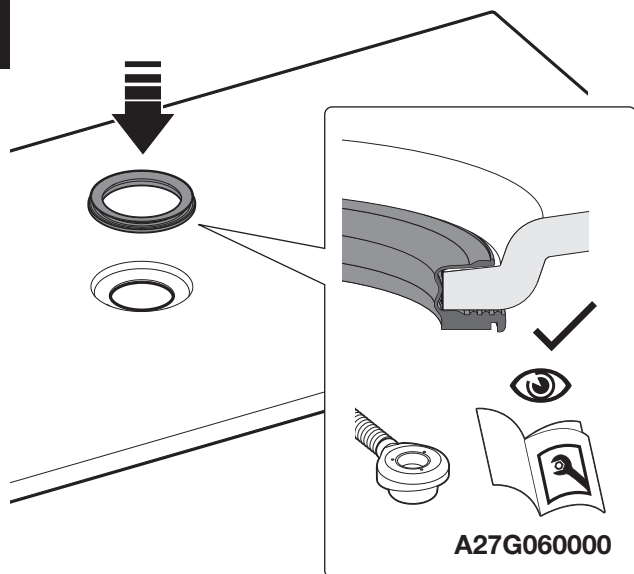
CEMENTO CIMENT
CEMENT ZEMENT
CIMENTO CEMENTIZIA

**2****3**

MASTIC



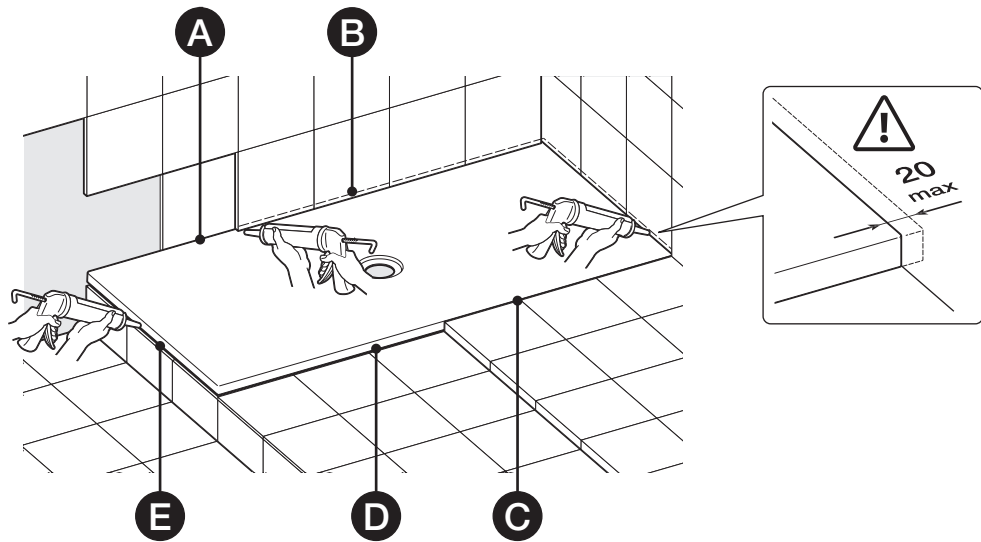
SECO DRY SECA
SEC TROCKEN
ASCIUTTO

**5****4**

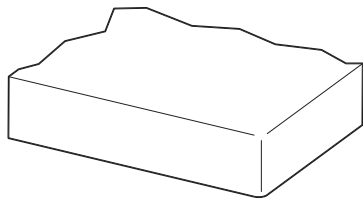
A27G060000

6

* SILICONE
NO ACETIC



STANDARD



CUT

