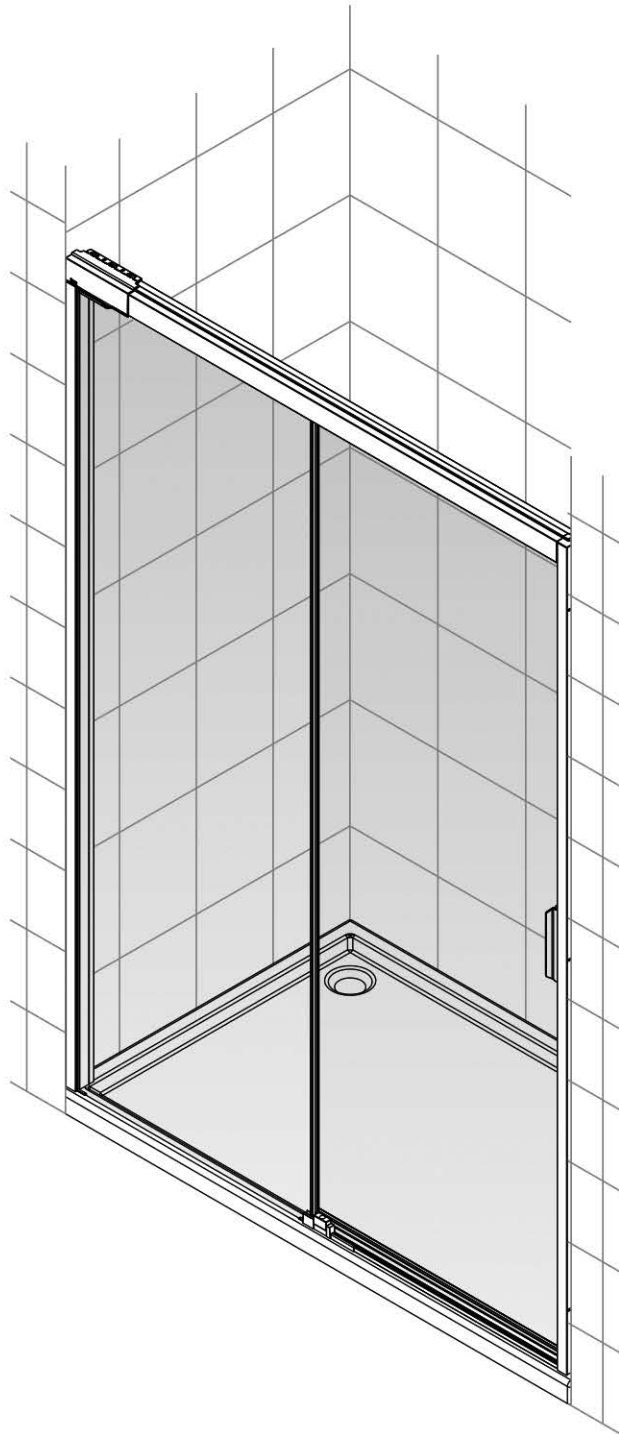


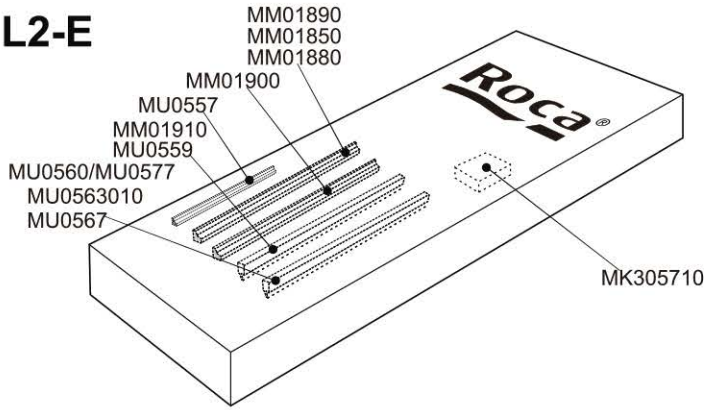


**Roca**







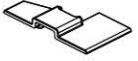








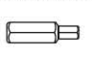
**L2-E**


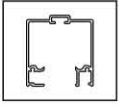

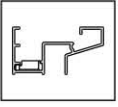


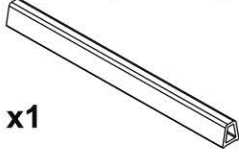



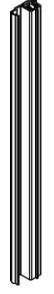
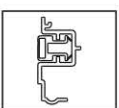

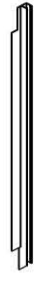
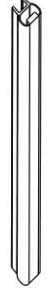

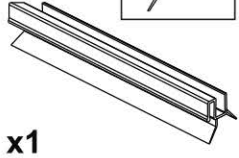


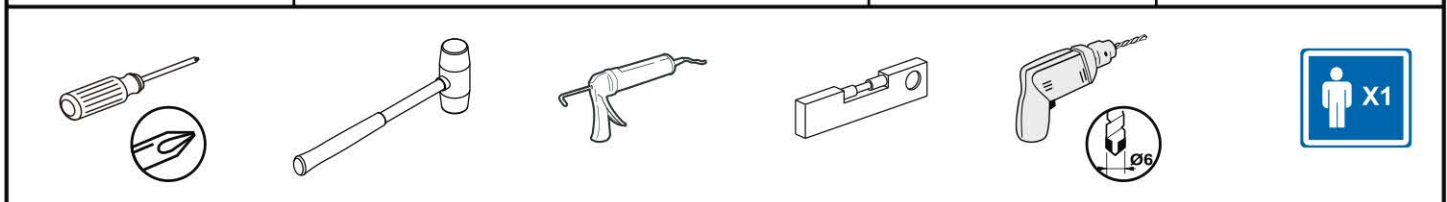
# L2-E



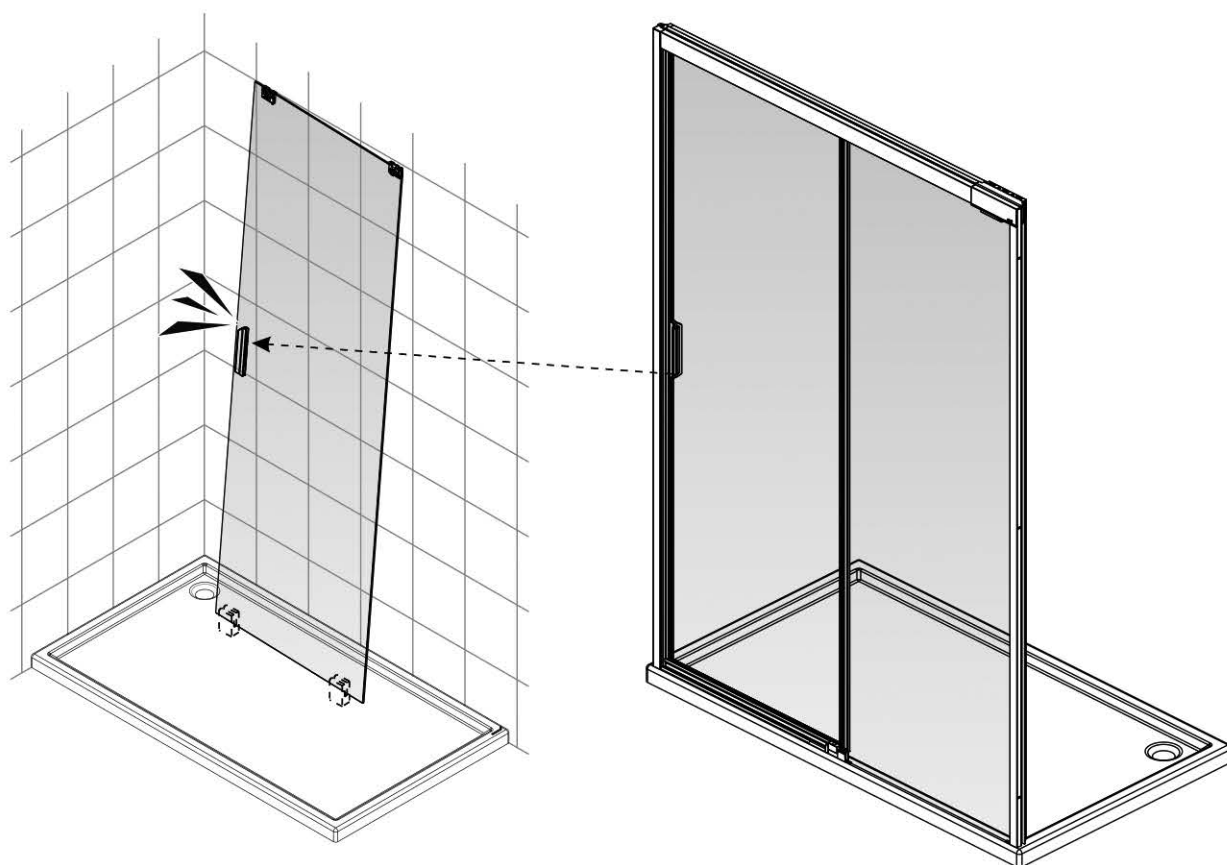
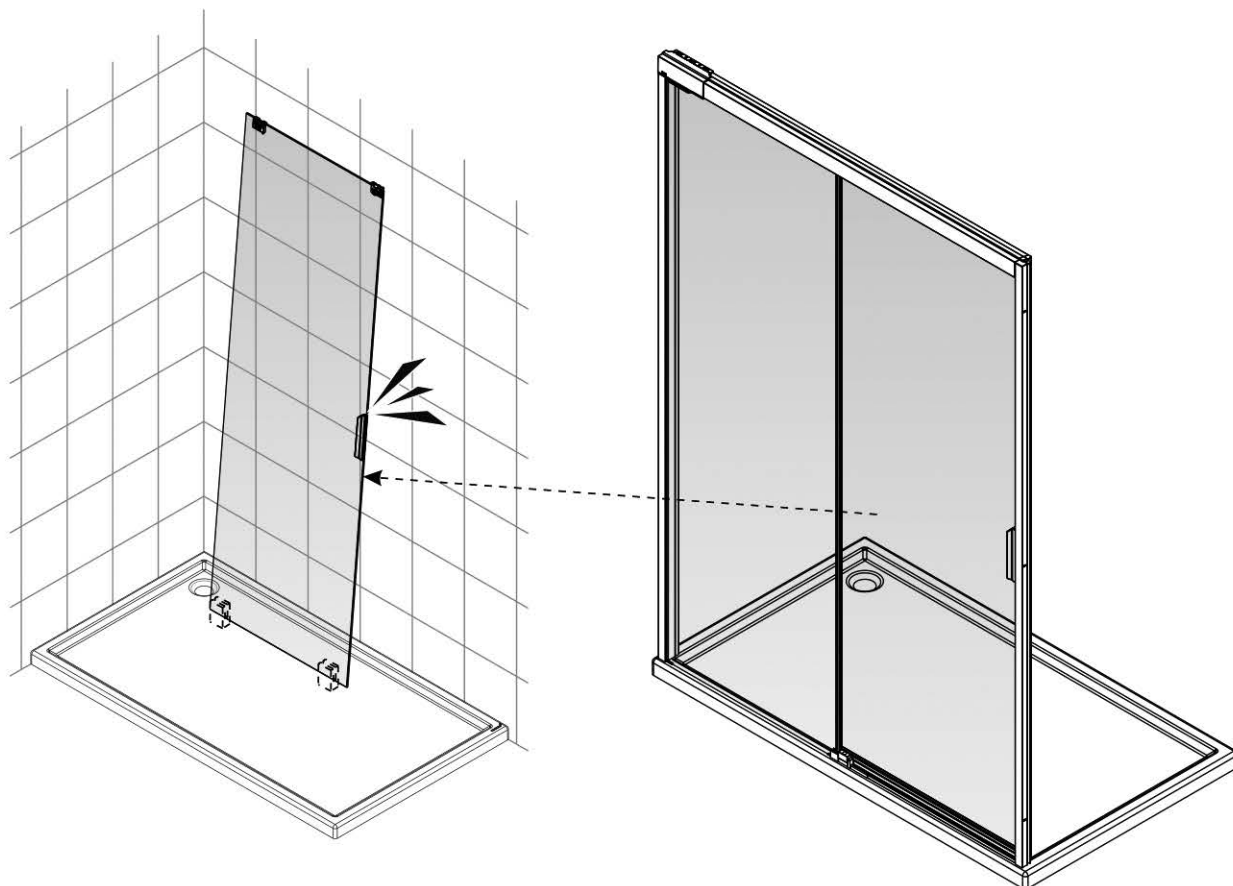
## MK305710

MK202410	 x1	 x1		
MK405580	 x1			
MK202470	 x2			
MK202550	 x1	 x1		
MK202420	 x1	 x1		
MK202430	 x1	 x1		
MK201940	 x3	 Ø6 x3		
MK202350	 x1 MTS0019	 x1 MTS0020	 x1 MTS0021	 x1 MTS0022

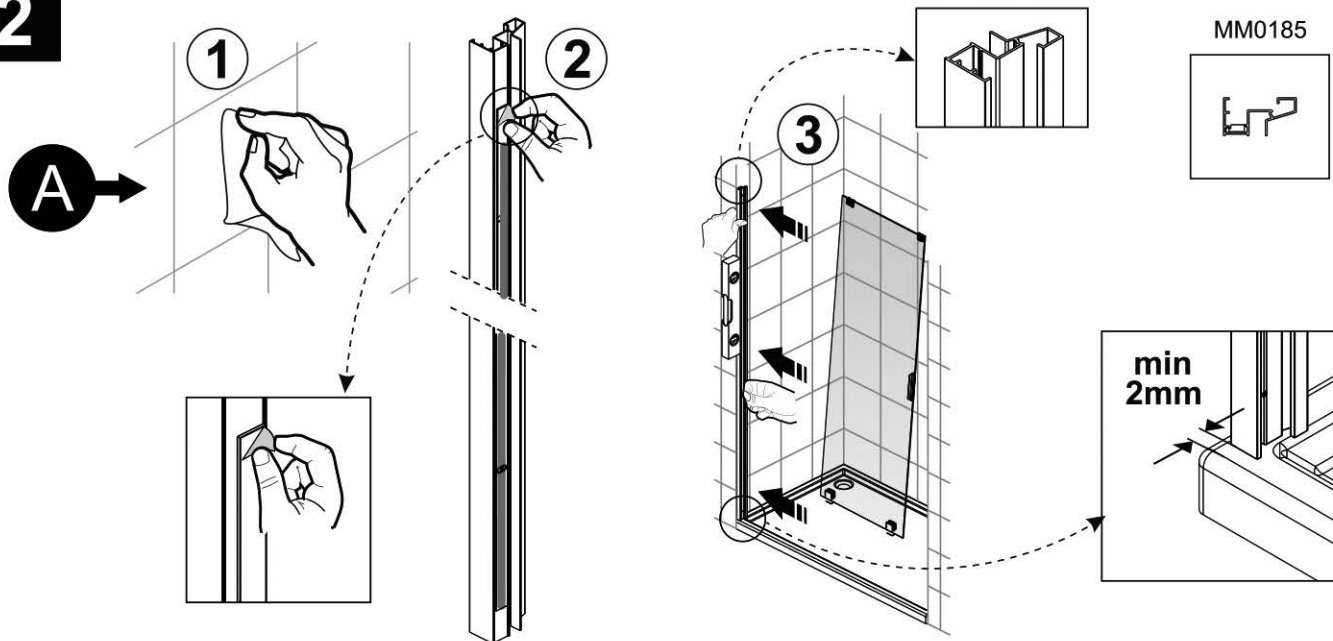
<b>MM01890</b>   <b>x1</b>	<b>MM0185</b>   <b>x1</b>	<b>MM01880</b>   <b>x1</b>	<b>MM01900</b>   <b>x1</b>	<b>MU0557</b>   <b>x1</b>
<b>MM01910</b>   <b>x1</b>	<b>MU0560</b>  <b>x1</b> MU0560020		 <b>x1</b> MU0560010	<b>MU0567</b>   <b>x1</b>
<b>MU0560</b>  <b>x1</b>				



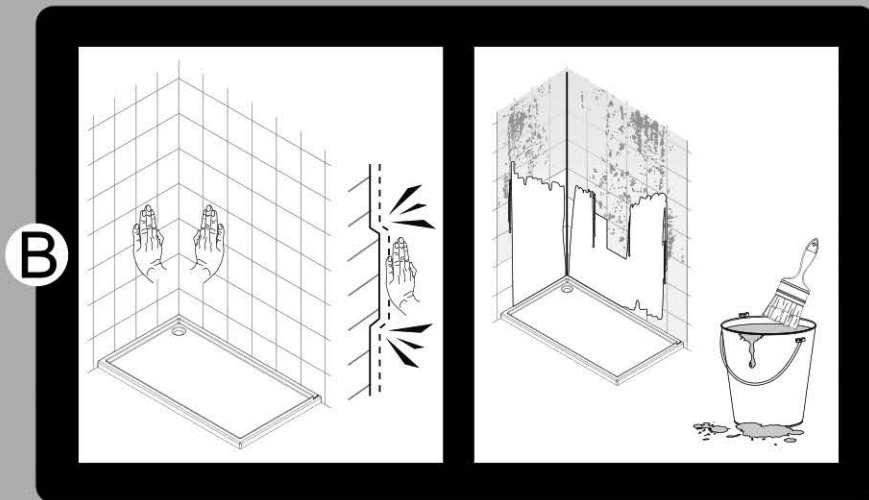
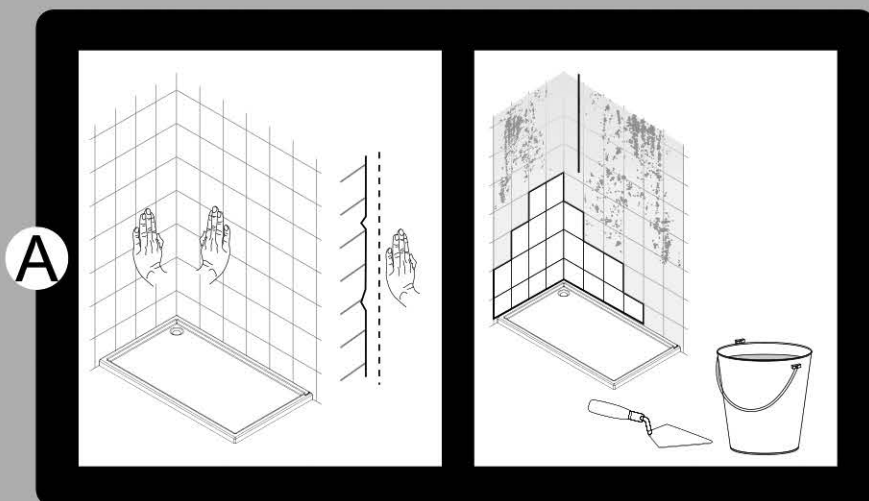
1



2



⚠ **A/B** ⚠



**B** →

\* OPCION/OPTION/OPZIONE/OPÇÃO



MK201940

3

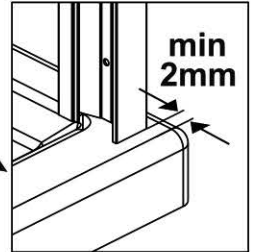
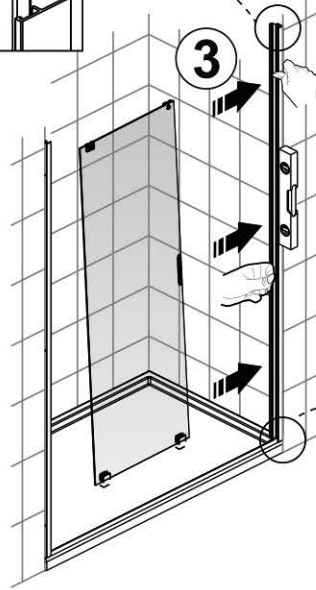
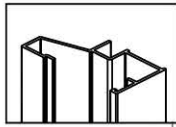
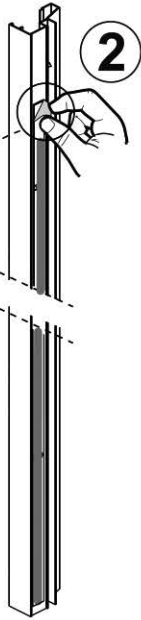
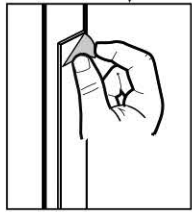
A

1

2

3

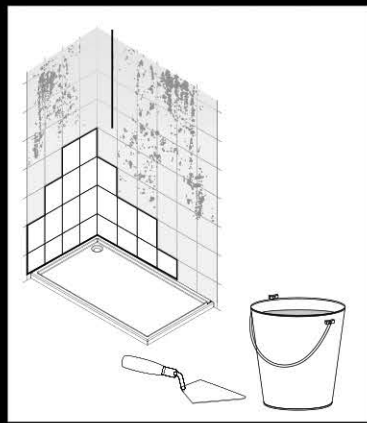
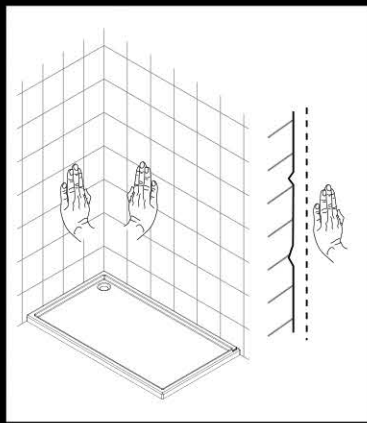
MM0188



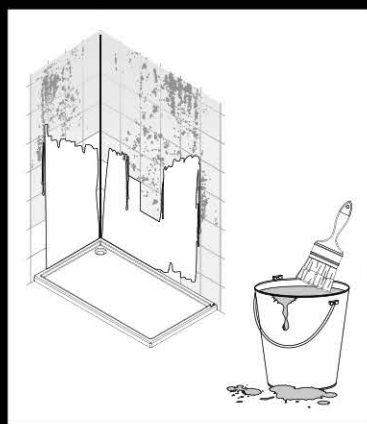
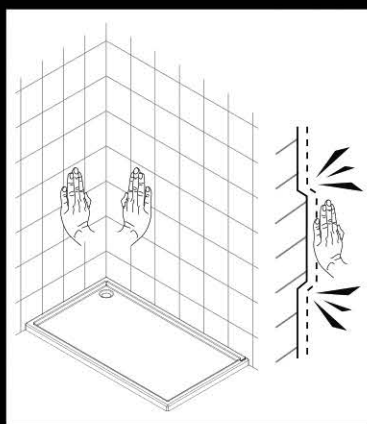
A/B



A



B



B

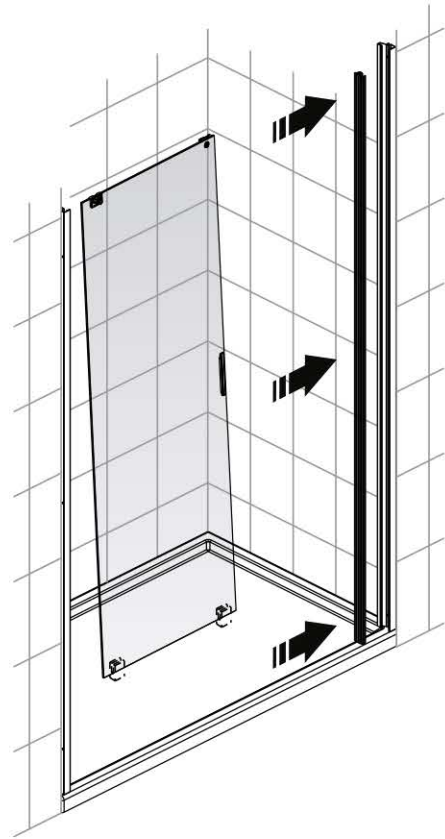
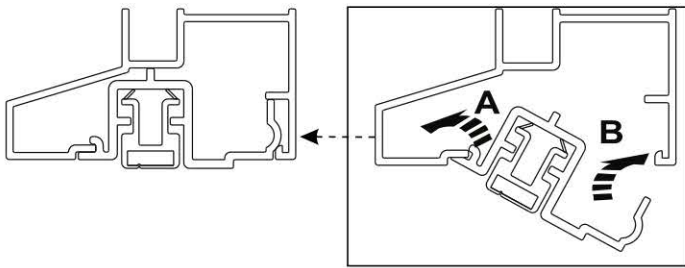
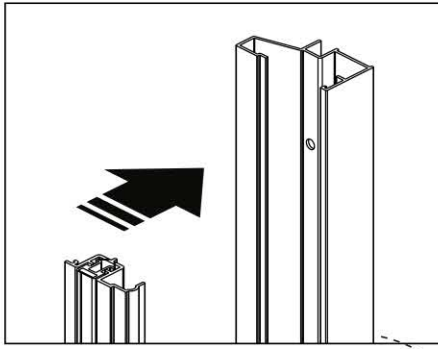
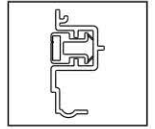
\* OPCION/OPTION/OPZIONE/OPÇÃO



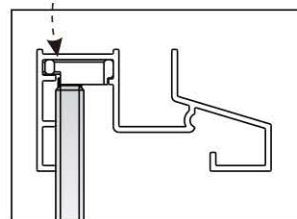
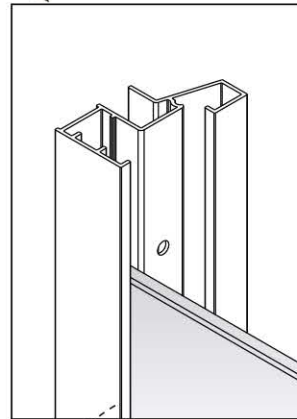
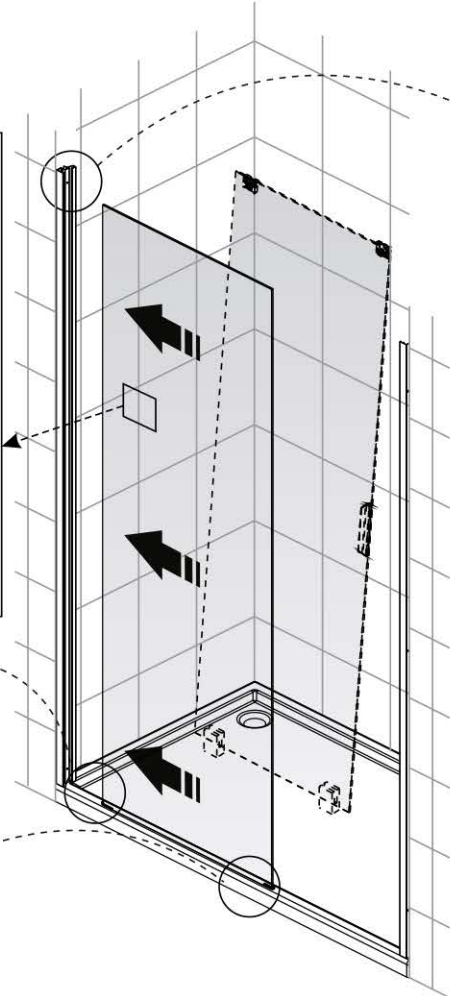
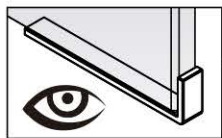
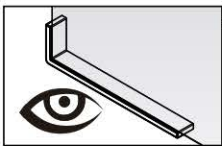
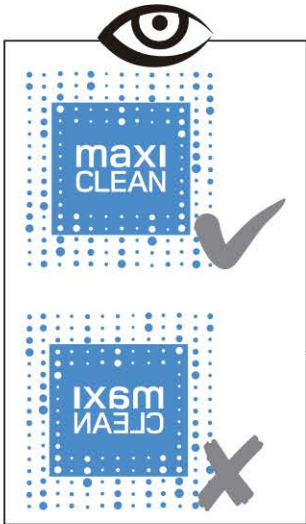
MK201940

4

MM01910

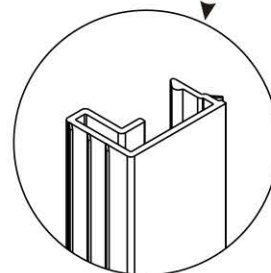
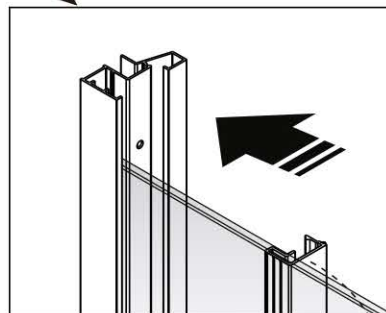
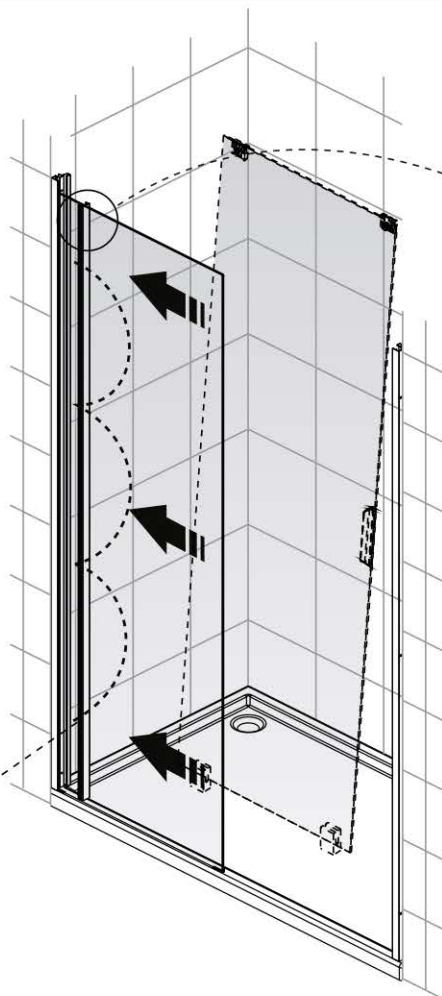
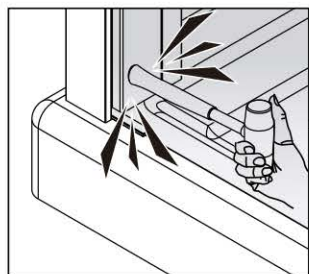


5



6

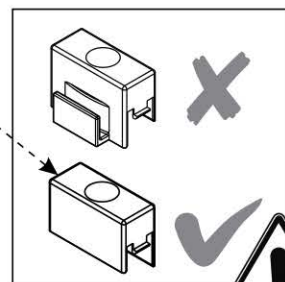
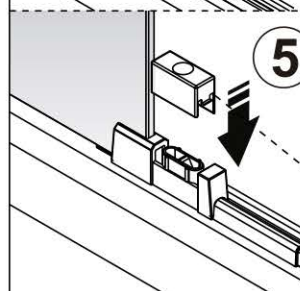
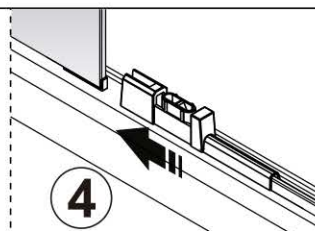
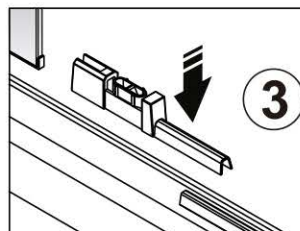
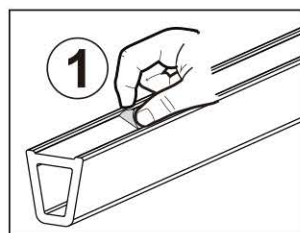
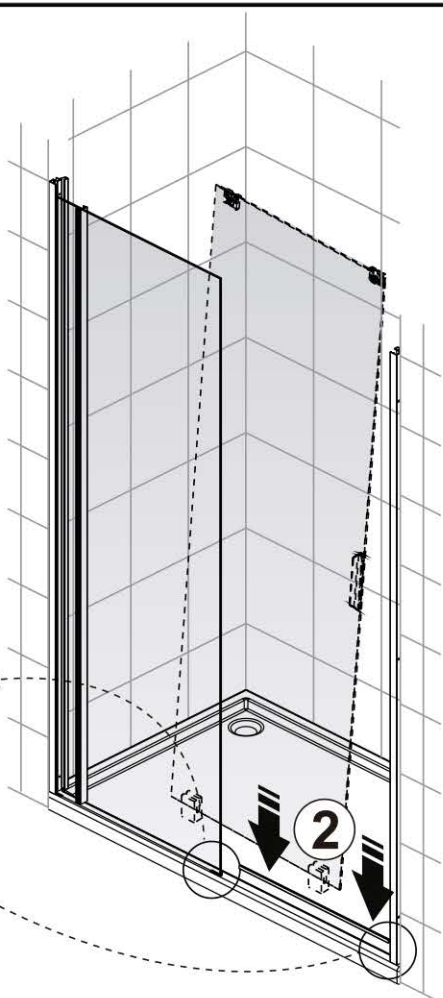
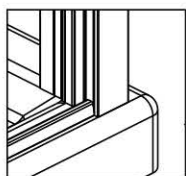
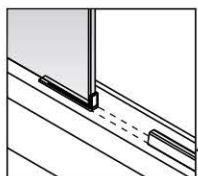
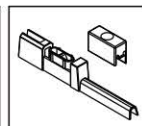
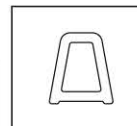
MU0557



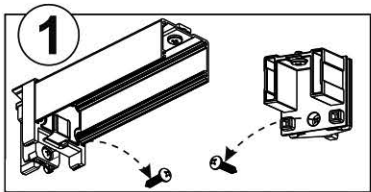
7

MM01900

MK202430



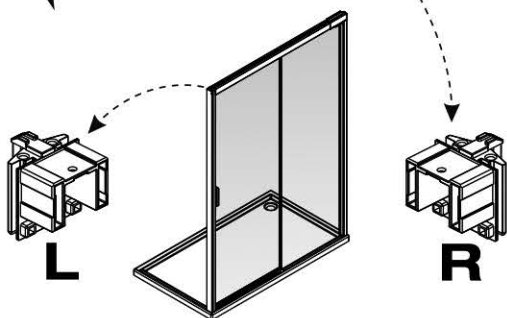
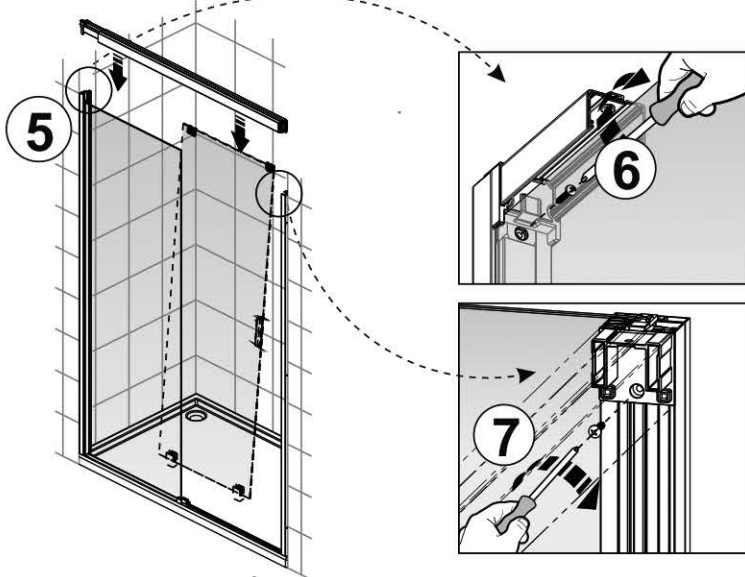
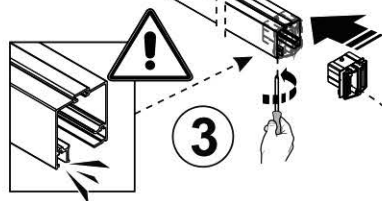
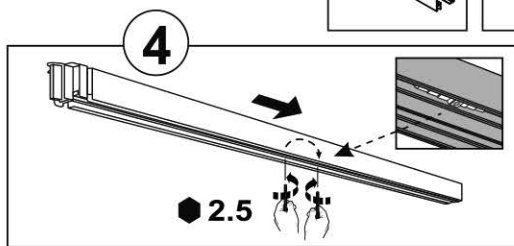
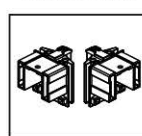
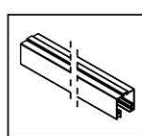
8



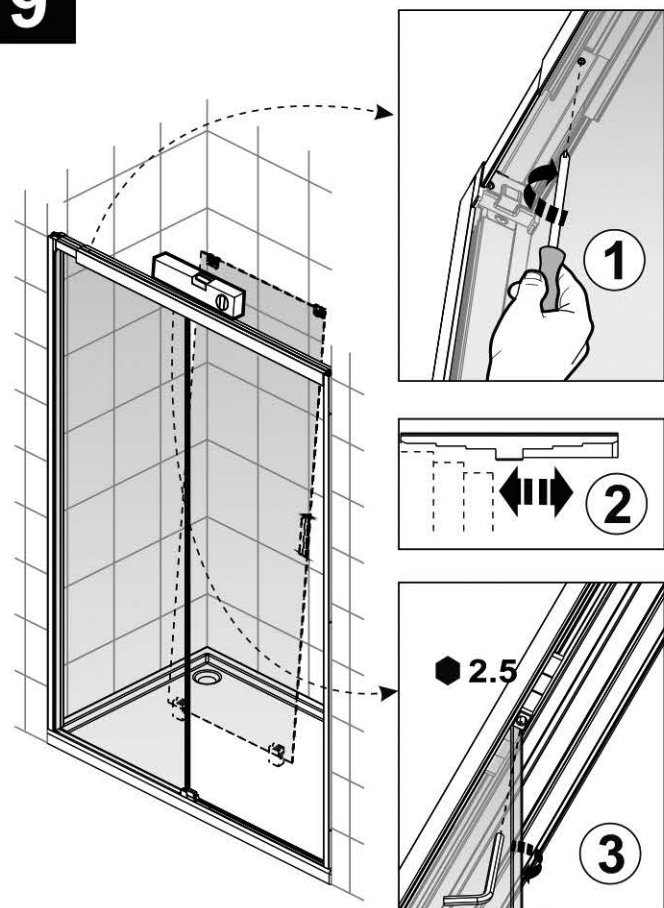
MM01890

MK202550

MK405580

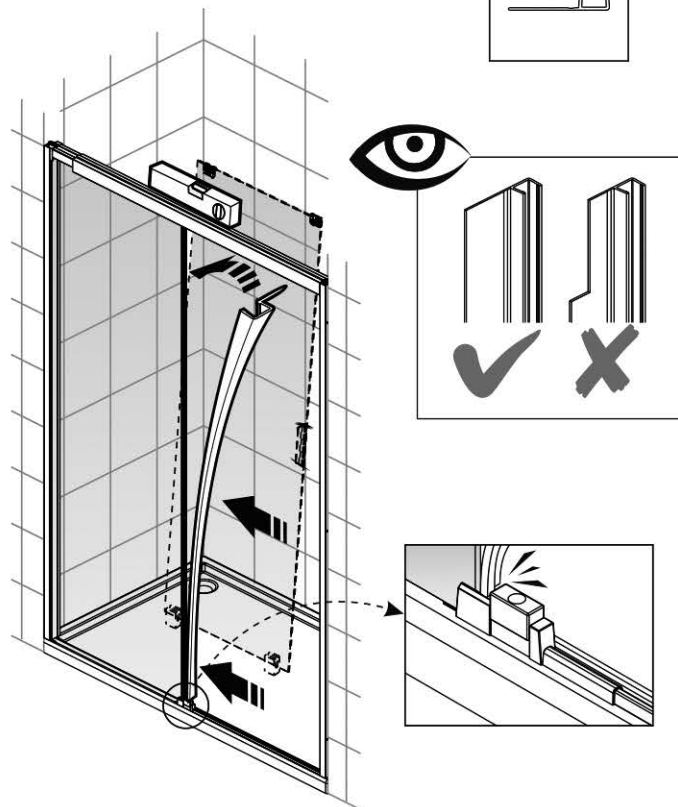
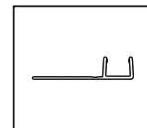


9



10

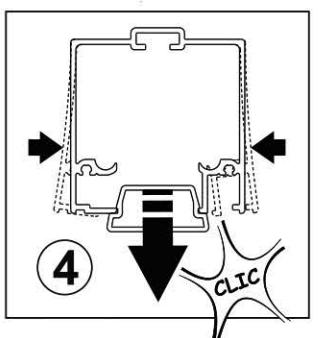
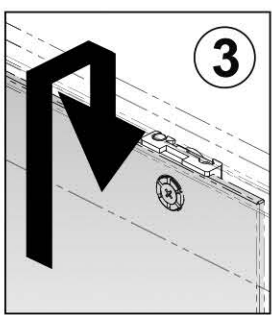
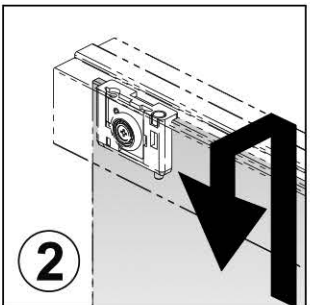
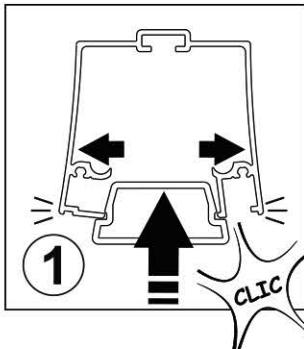
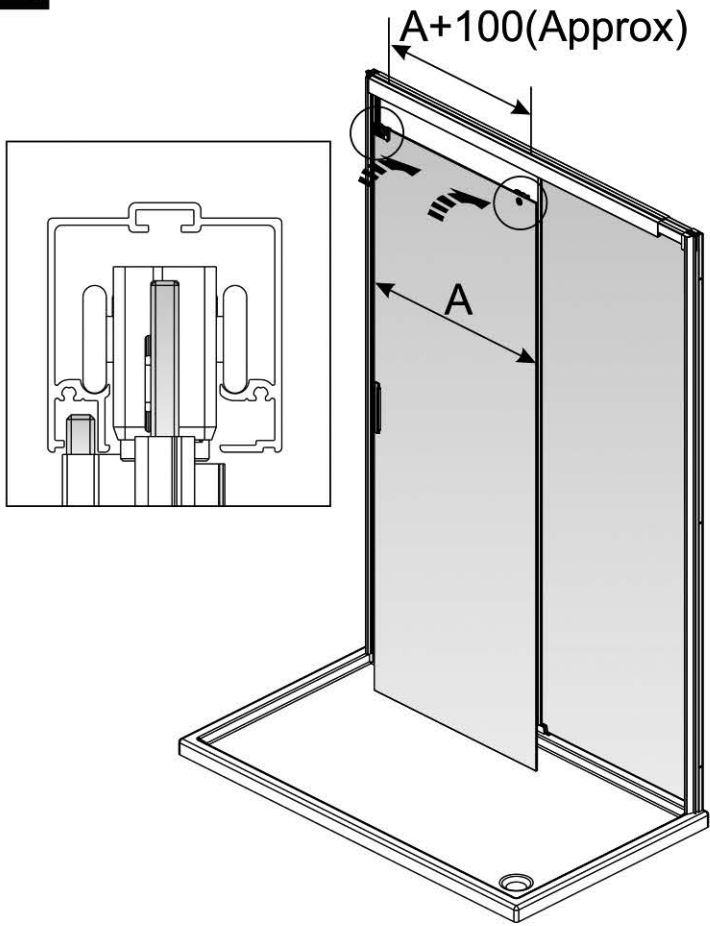
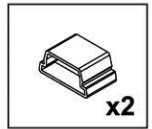
MU0560020





# 11

MK202470

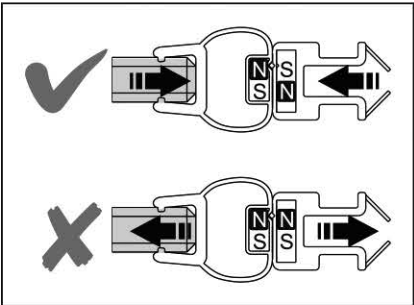
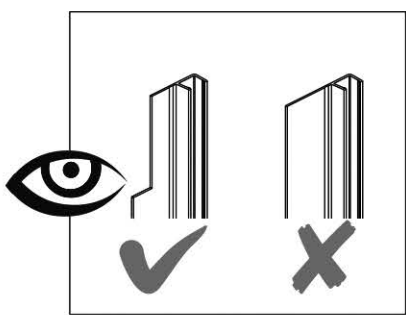
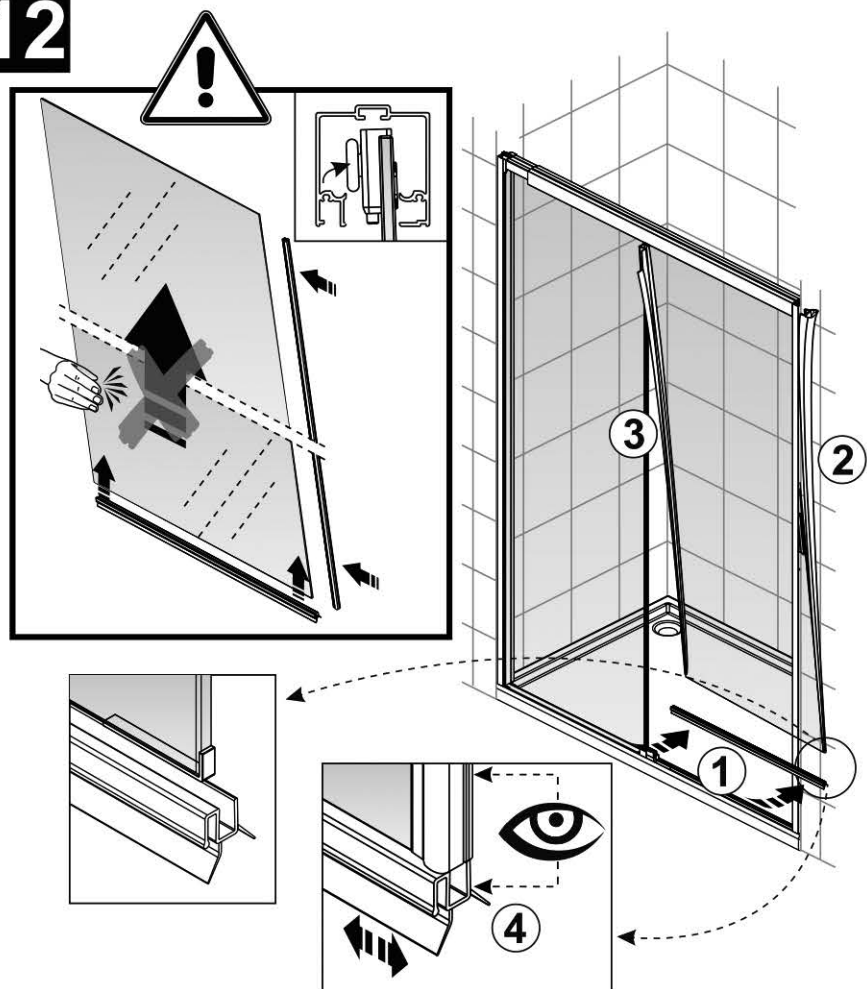
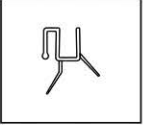
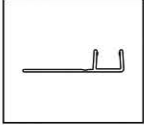


# 12

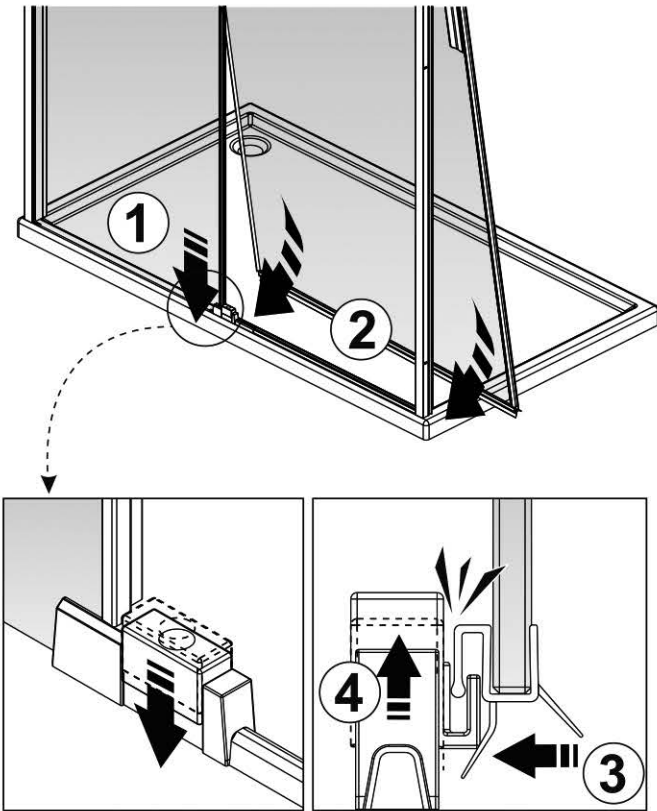
MU0560010

MU0563010

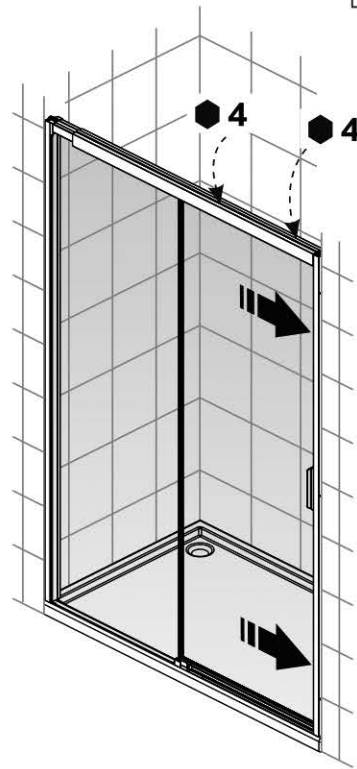
MU0567



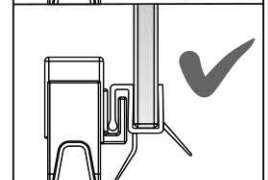
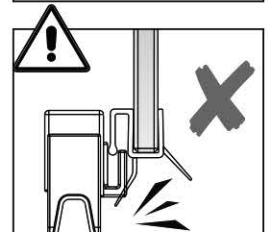
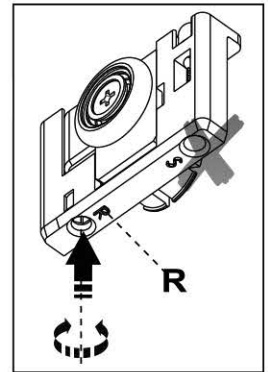
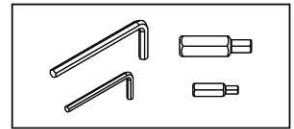
# 13



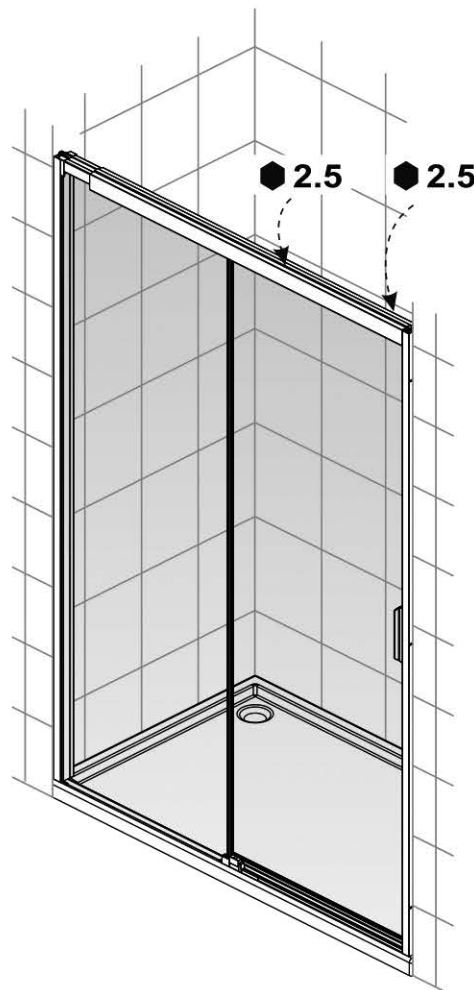
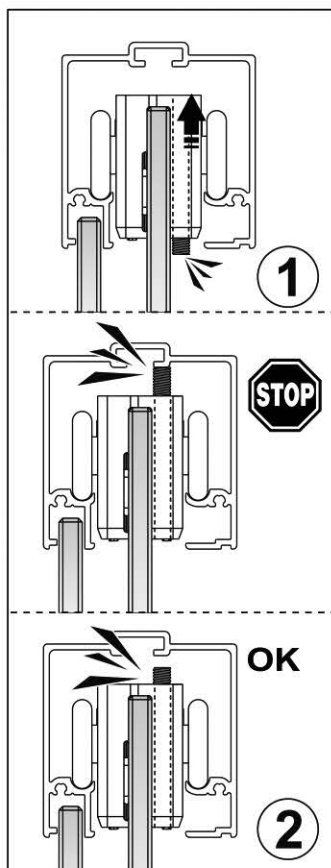
# 14



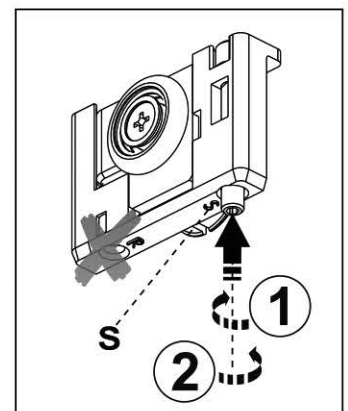
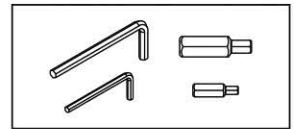
MK20235



# 15

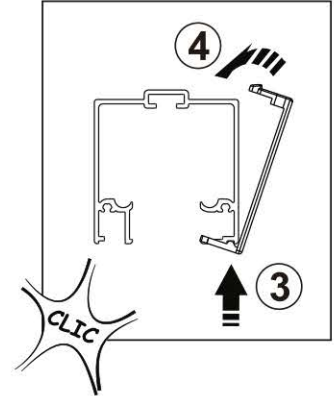
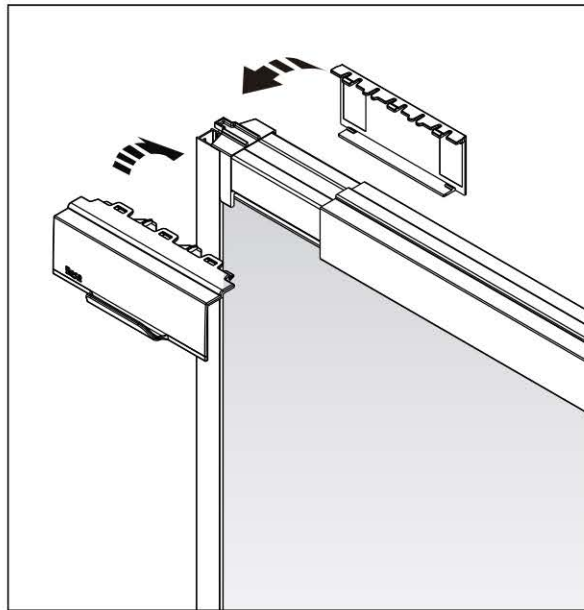
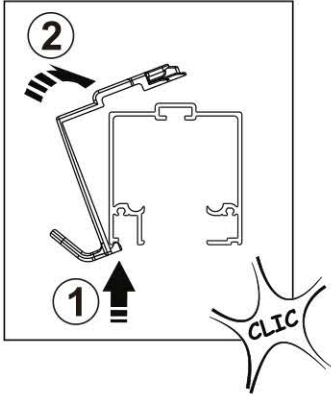
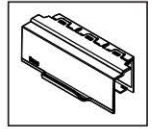


MK20235



16

MK202410

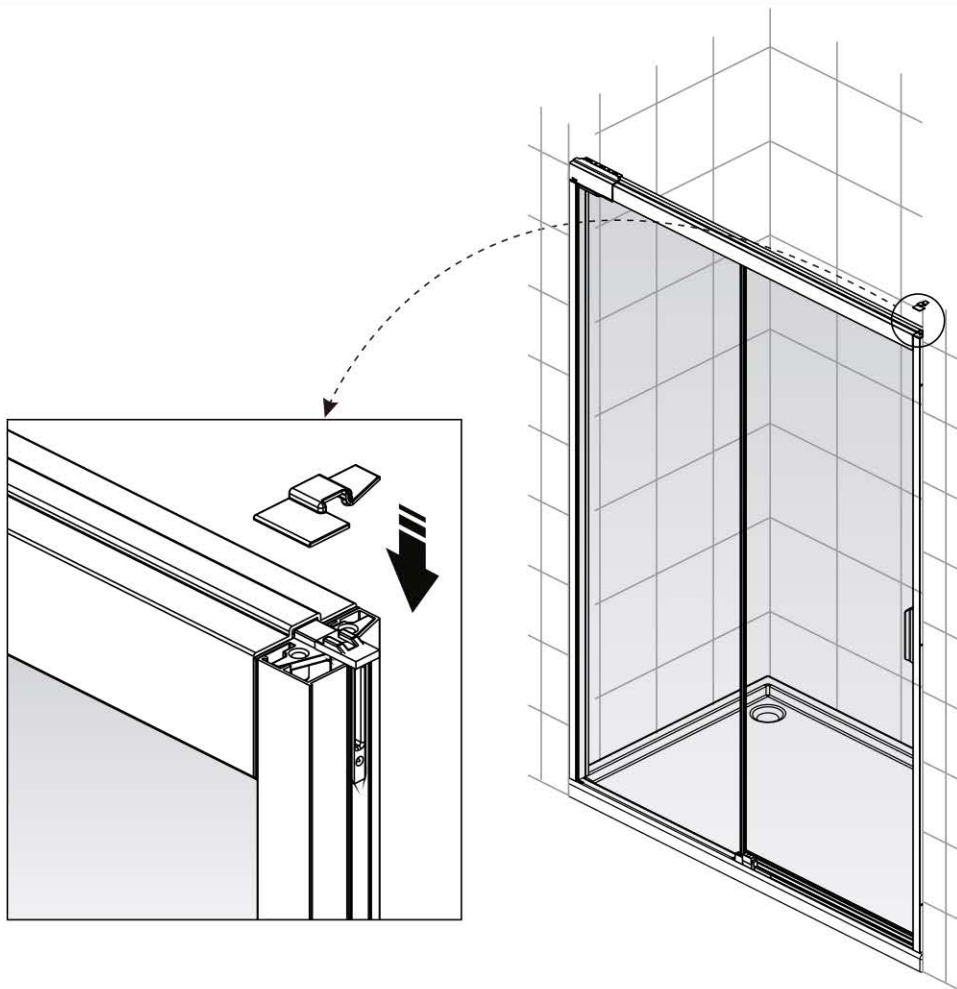


17

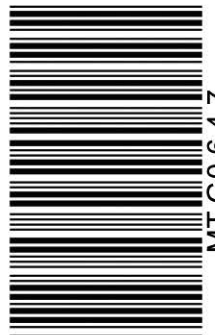
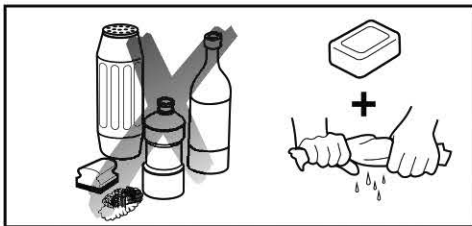
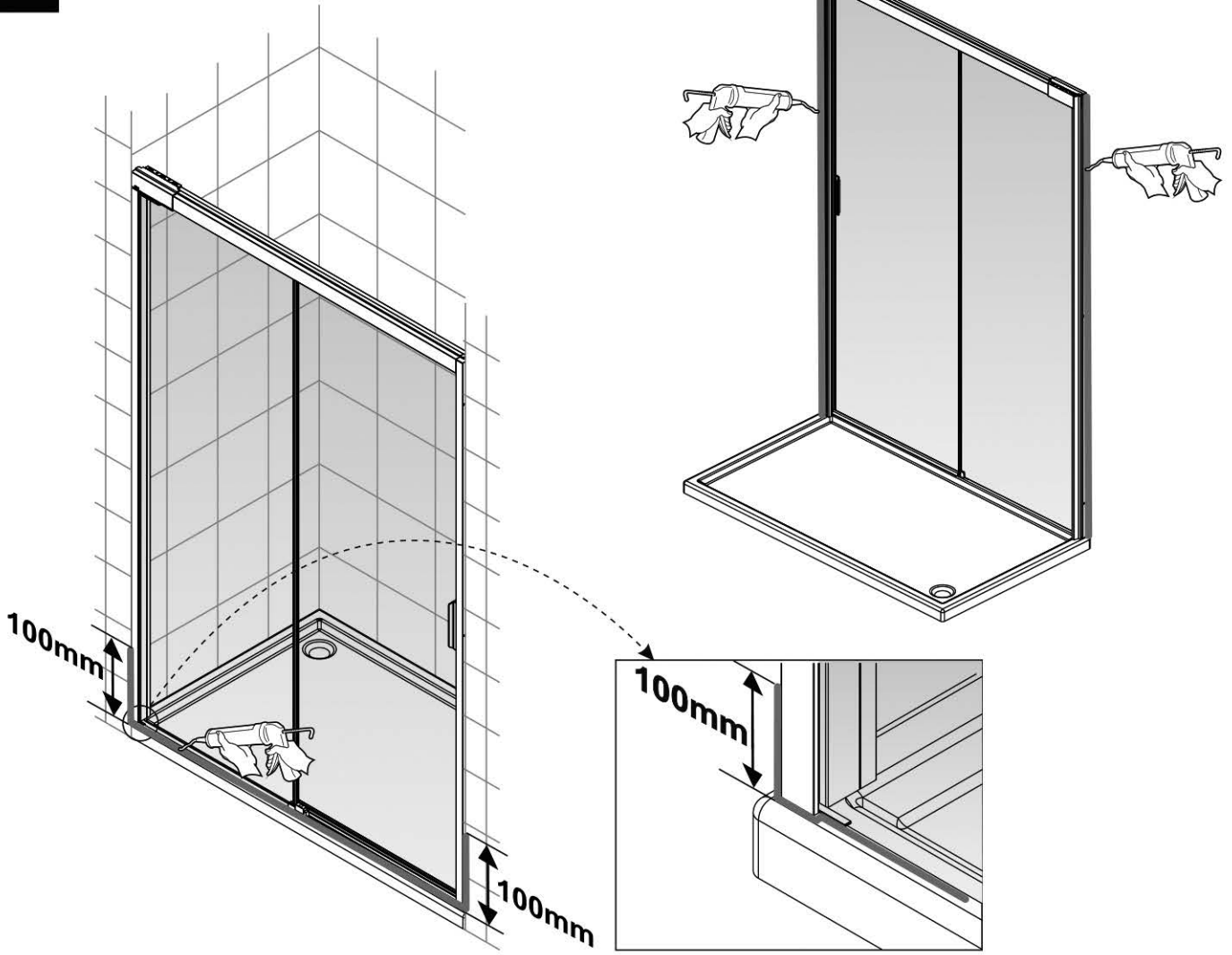
MK202420



MTP0425



18



V5

MT G0 6 4 7

Roca Sanitario, S.A.

Avda. Diagonal, 513  
 08029 Barcelona - SPAIN  
 Teléfono 93 366 1200  
 Fax 93 419 4501  
 www.roca.es

**Roca**

**902  
304  
848**  LÍNEA DE ATENCIÓN AL CONSUMIDOR ESPAÑA